

## technical info

18mm MDF core | door is prepared, lacquered, dried and polished | 2mm radius edge | glass is a plain frosted panel

### Board Matches:

Egger - U962

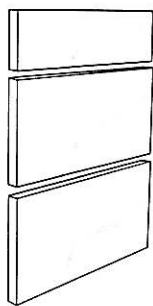
\*for sizes please refer to [www.thesourcebookdirect.co.uk](http://www.thesourcebookdirect.co.uk) or the current price list.

## door range

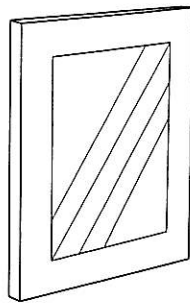
Lucido Anthracite Gloss - DL.LUT



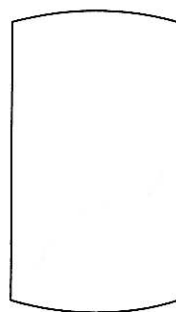
Doors\*



Drawers\*

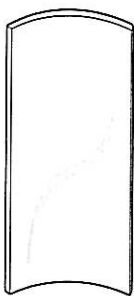


Glazed Doors\*



Convex Curved Door  
CF1

new



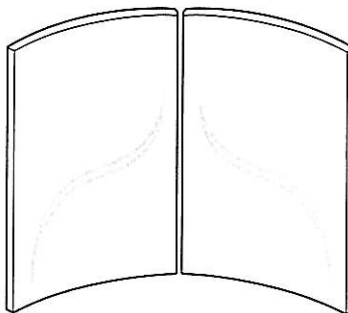
Small Concave Door  
CK7<sup>1</sup>

new



Medium Concave Door  
CK8<sup>1</sup>

new

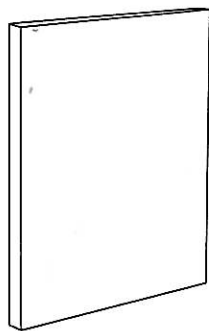


Pair of Large Concave Doors  
CK9<sup>1</sup>

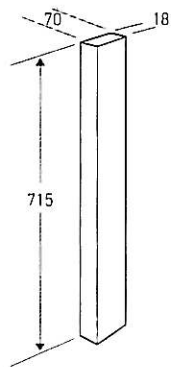
<sup>1</sup>only available on a 3 week paint to order lead-time



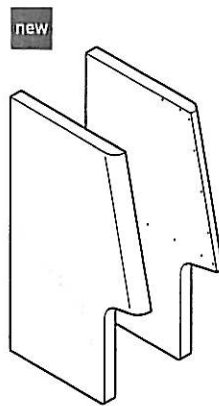
# accessories



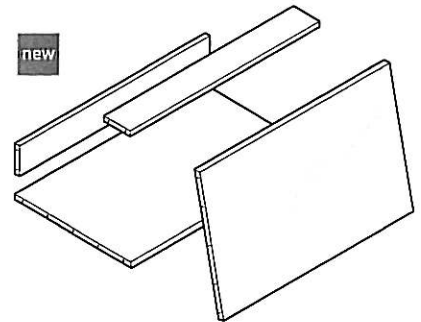
End Panel\*



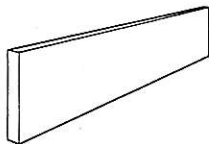
Corner Post  
CA0



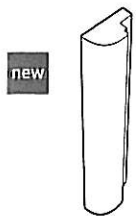
Canopy End Panels  
CM9  
(Pack 1)



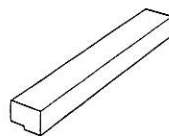
Fascia, Base & Rails  
CN1/CN3  
(Pack 2)



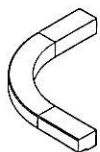
Plinth  
C90



Radius Quadrant  
End Moulding  
CN4



Cornice/Pelmet  
C84



Curved Cornice/Pelmet  
CF6



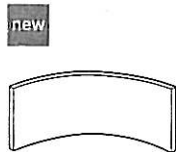
Concave Small  
Cornice/Pelmet  
CN6'<sup>1</sup>



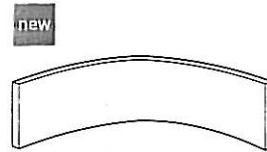
Concave Large  
Cornice/Pelmet  
CN7'<sup>1</sup>



Convex Plinth  
CF7



Concave Medium Plinth  
CL1'<sup>1</sup>



Concave Large Plinth  
CL2'<sup>1</sup>

<sup>1</sup>only available on a 3 week paint to order lead-time

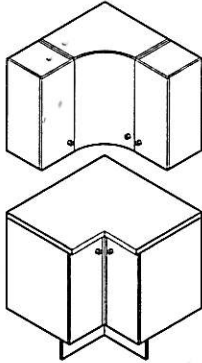


## Concave Doors for Lucido, Lucido Senza, Opaco and Opaco Senza

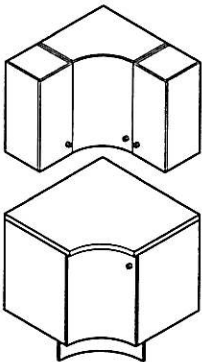
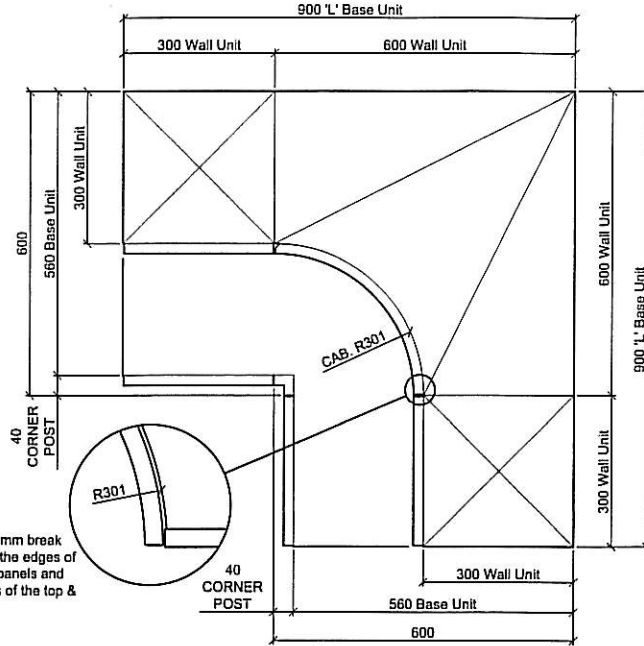
There are three sizes of concave door: Small, Medium & Large. These enable the construction of four different concave installations. They are designed to work with 300mm deep wall units & 560mm deep base units. The concave doors are all 715mm high to fit 720mm high cabinets & multiples thereof.

Concave cornices, pelmets & plinths are available to suit the concave doors as appropriate. Check the Price List for range availability.

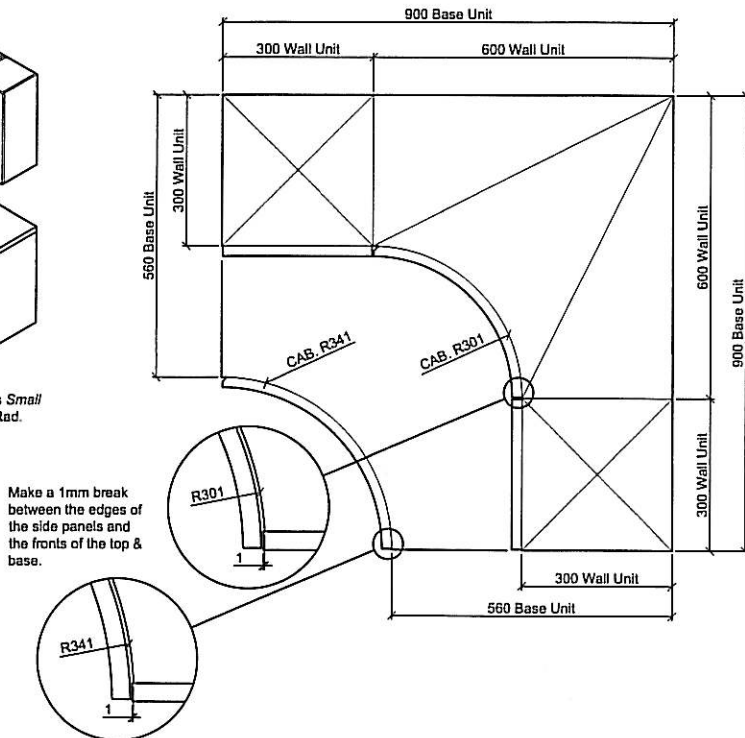
The drawings here show the shapes & sizes of concave units to suit these doors, also how to set-out the concave units for installation.



Concave Application 1 uses a Small (Rad. 298mm) concave door & 40mm<sup>2</sup> Corner Post



Concave Application 2 uses Small (Rad. 298mm) & Medium (Rad. 338mm) concave doors

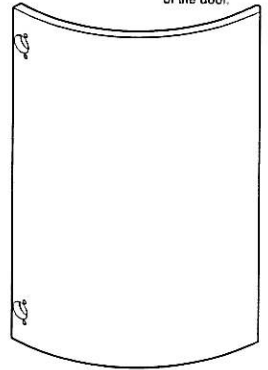


### The Bevelled Concave Door Edge & Hinges:

Concave doors have bevels down one of their rear vertical edges. This enables them to clear their neighbours as they are opened. Make sure that the drilling for hinges is down the opposite, square edge to the bevelled one!

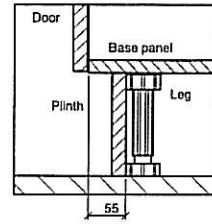
The bevel goes at the opening side of the door.

Drill for the hinges by the square edge.



Concave door, rear face

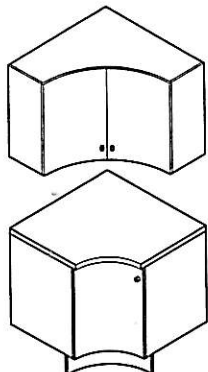
Concave doors can be mounted on a wide range of Ø35mm concealed cup hinges - though it is recommended that wider opening angle versions are used to give best access to the concave cabinets.



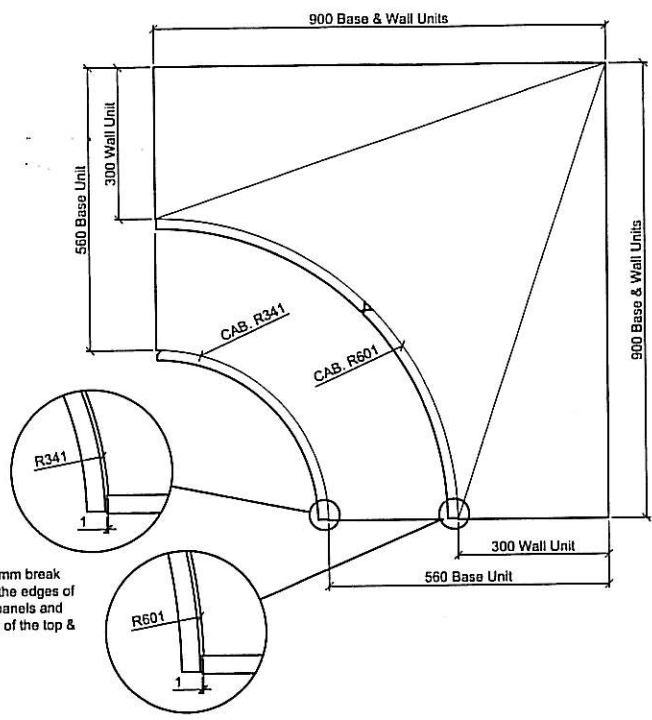
For the curved plinths to fit properly, the rear of the plinths need to be 55mm from the fronts of the cabinets.



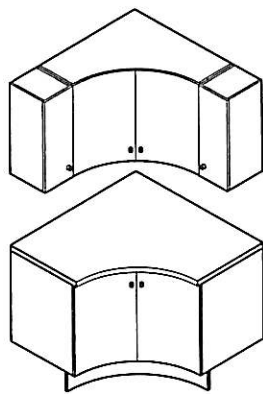
Concave Doors for Lucido, Lucido Senza, Opaco and Opaco Senza



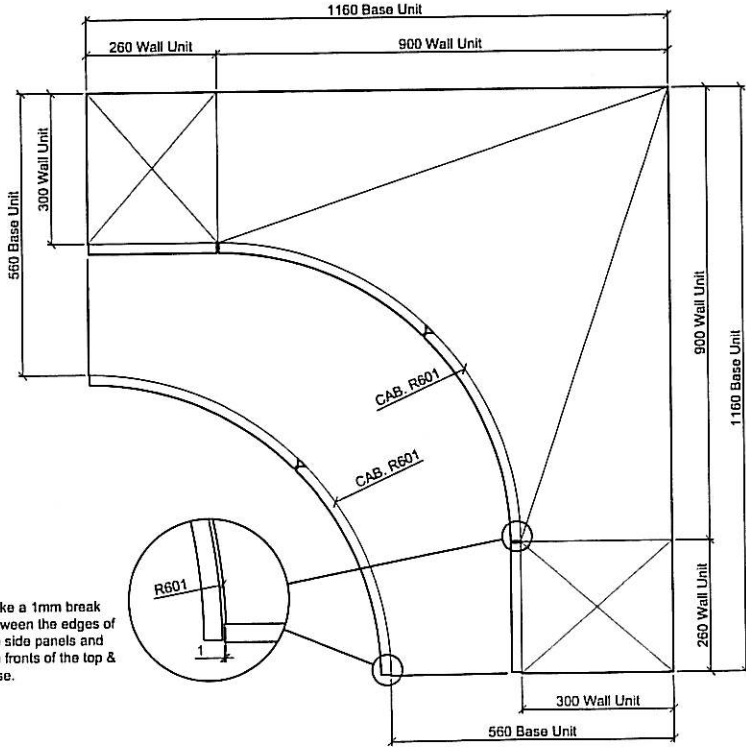
Concave Application 3 uses a Medium & two Large concave doors



Make a 1mm break between the edges of the side panels and the fronts of the top & base.



Concave Application 4 uses four Large concave doors & two 256mm wide doors

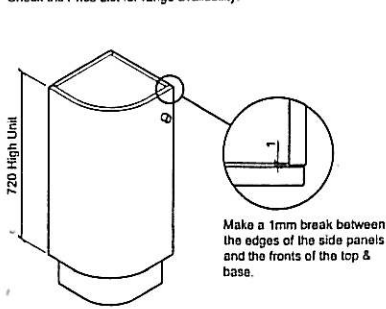


Make a 1mm break between the edges of the side panels and the fronts of the top & base.



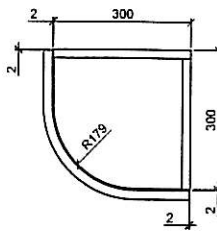
### Convex Doors for all Ranges:

These Convex doors are 715mm high to fit 720mm high units with a radiused, quarter round shape. The smallest unit they will fit is 300w x 300mm deep. Convex comicas, pelmets & plinths are available to suit. Check the Price List for range availability.

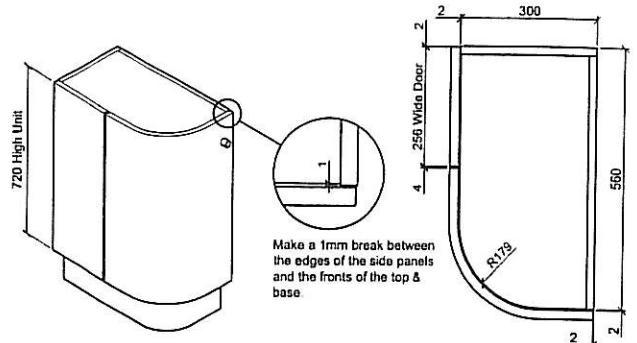


Make a 1mm break between the edges of the side panels and the fronts of the top & base.

The drawings here show the shapes & sizes for convex units to suit these doors. The convex cabinet radius varies according to the range design. Please refer to the chart for the correct radius

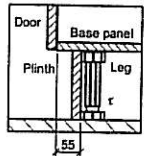


range	convex cabinet
Lucido	
Lucido Senza	radius 179mm
Opaco	
Opaco Senza	
Stamford	radius 189mm



Make a 1mm break between the edges of the side panels and the fronts of the top & base.

Convex plinths are supplied to suit 570mm deep units. To fit them to 560mm deep units, cut 10mm from their longest sides



For the curved plinths to fit properly, the rear of the plinths need to be 55mm from the fronts of the cabinets.